

PARTS MANUAL

Slimline Floor Mounted Bracket
- Simplified Plate Style

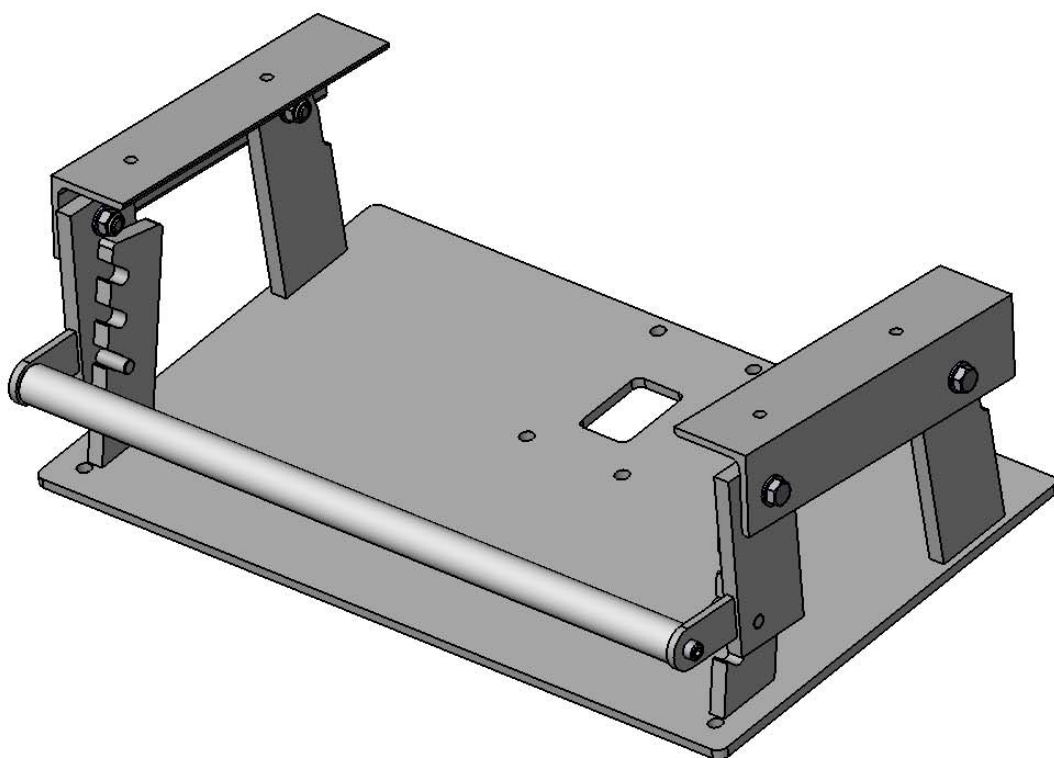


Table of Contents

Assembly Details

Page 1

Parts List

SW-A009 Slimline Floor Mounted Bracket

Page 2

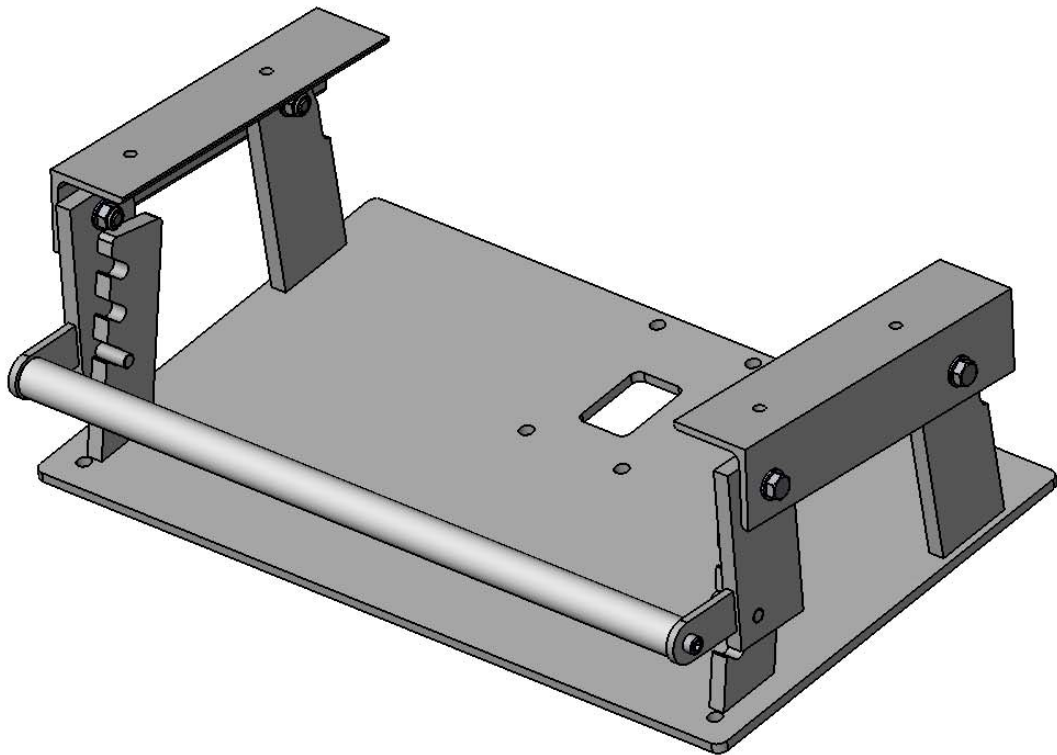


Slimline Floor Mounted Bracket - Simplified Plate Style

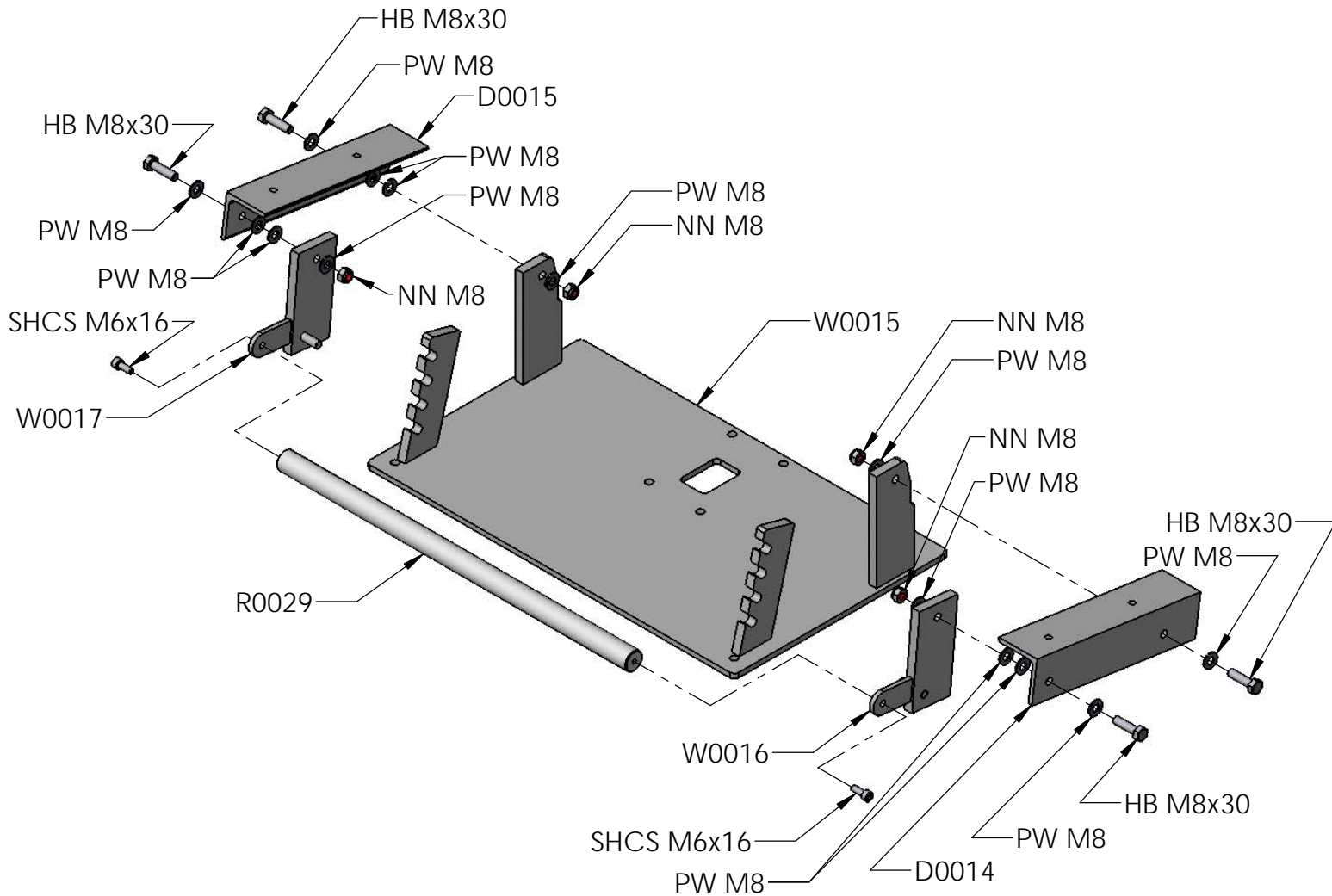
Model Number:

Serial Number:

Date of Issue:



SW-A002 Main Assembly



ID	QTY.	Title	Drawing #
NN M8	4	M8 Nyloc Nut	
PW M8	16	M8 Plain Washer	
HB M8x30	4	M8x30 Hex Head Bolt	
SHCS M6x16	2	M6x16 Socket Head Cap Screw	
D0014	1	Slimline Mount RH	D0014
D0015	1	Slimline Mount LH	D0015
R0029	1	Handle	R0029
W0015	1	Base Assembly - Simplified	W0015
W0016	1	Adjusting Linkage RH	W0016
W0017	1	Adjusting Linkage LH	W0017

