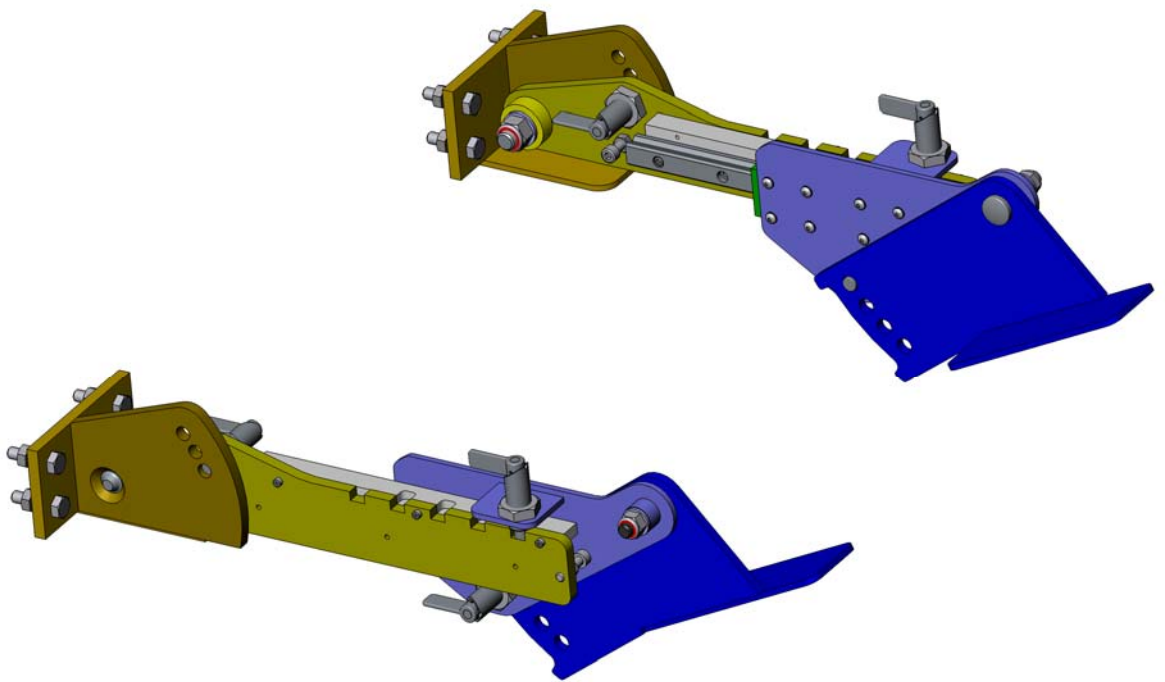


# PARTS MANUAL

## Slide Assembly



## **Table of Contents**

Assembly Details Page 1

### **Parts List**

SW-A003 Main Assembly Page 2

SW-A003L Left Hand Slide Assembly Page 3

SW-A003R Right Hand Slide Assembly Page 4

SW-S0012 Plunger 12 dia SS Page 5

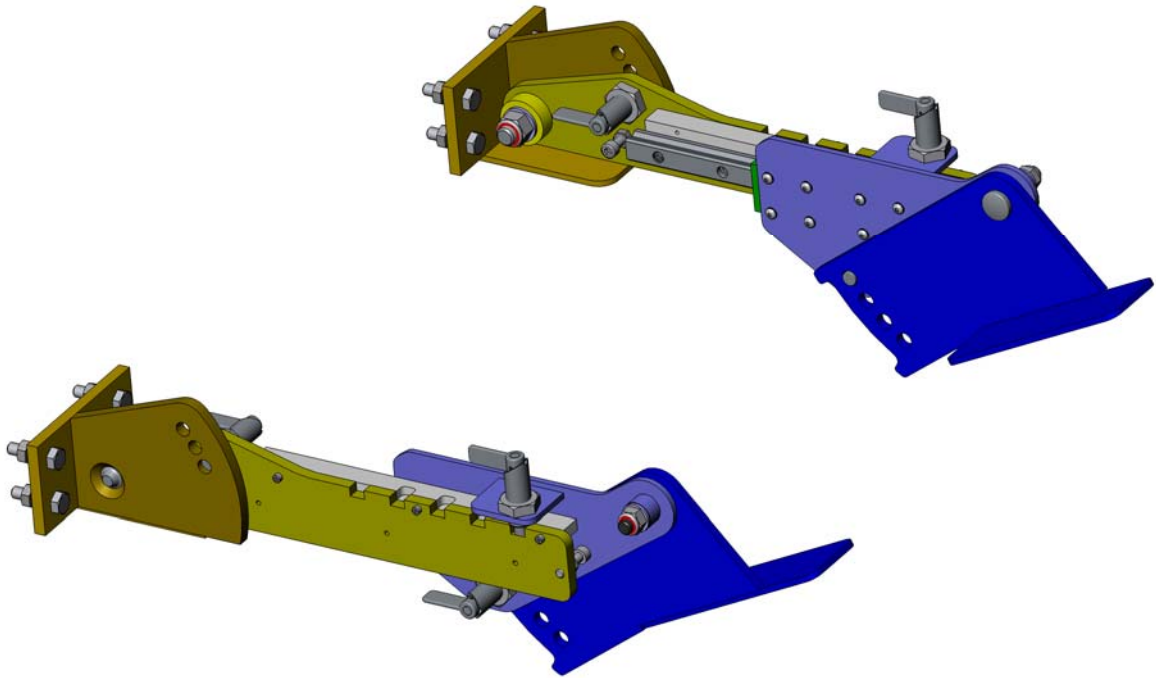


## Slide Assembly

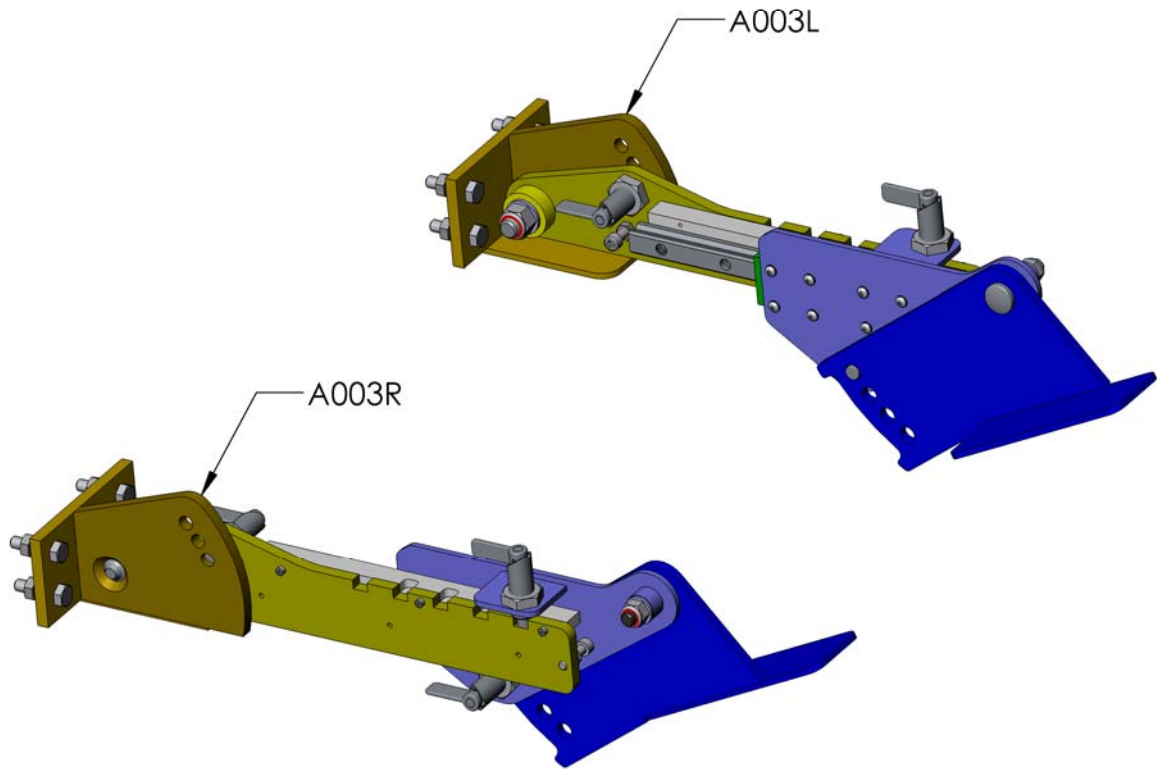
Model Number:

Serial Number:

Date of Issue:



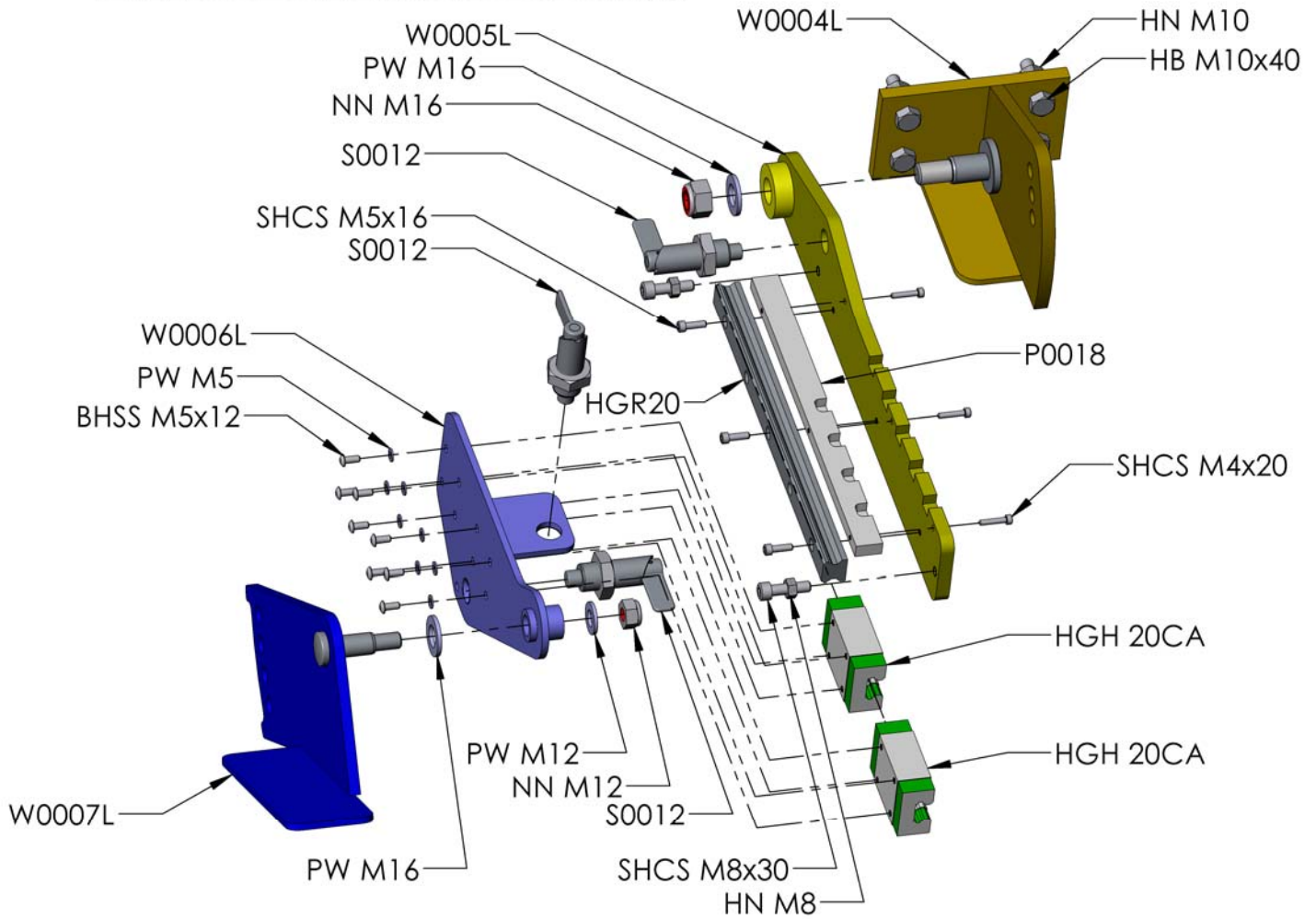
**SW-A003 Main Assembly**



ID	QTY.	Title	Drawing #
A003L	1	LEFT HAND SLIDE ASSEMBLY	A003L
A003R	1	RIGHT HAND SLIDE ASSEMBLY	A003R



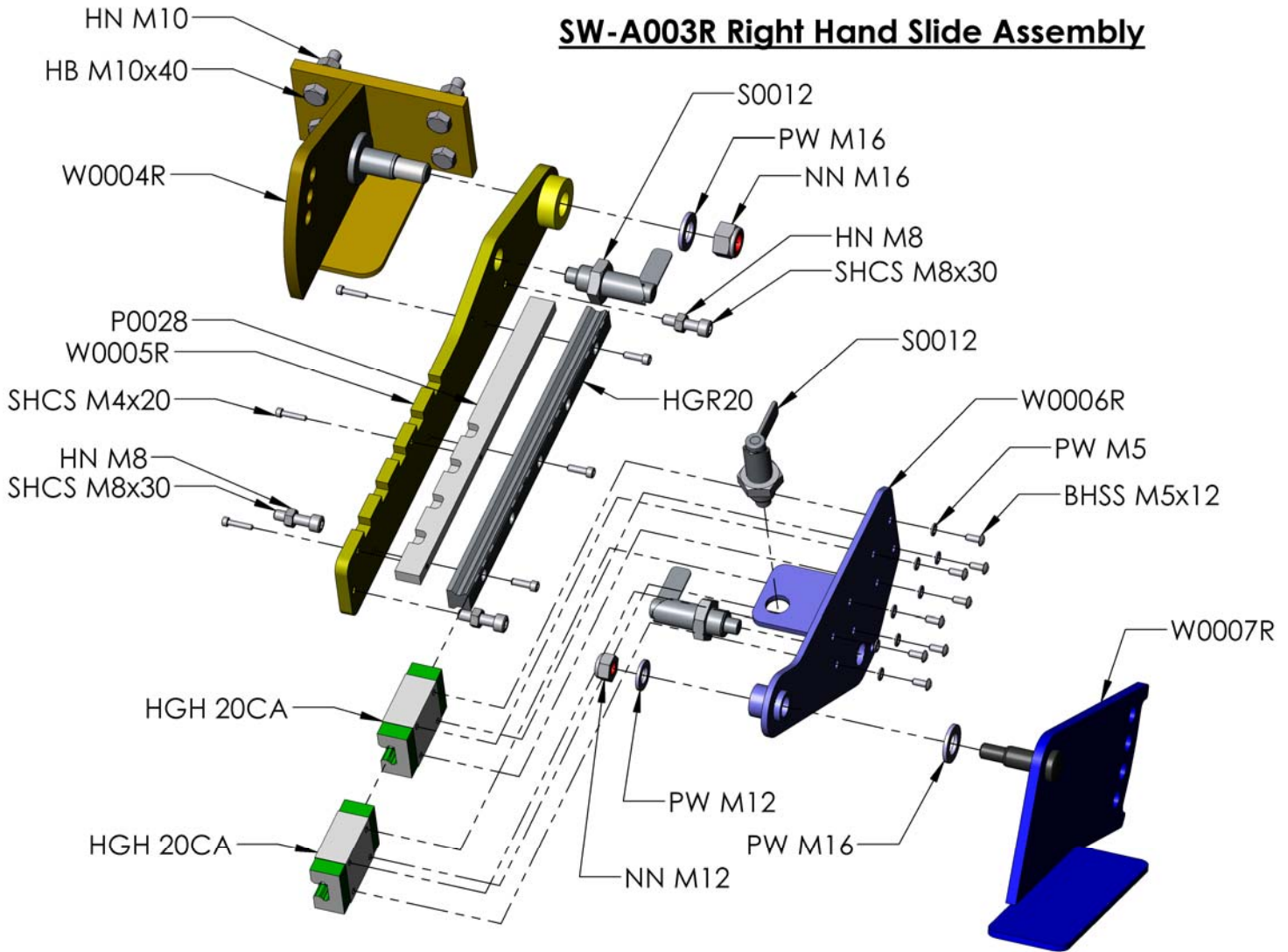
### SW-A003L Left Hand Slide Assembly



ID	QTY.	Title	Drawing #
P0018	1	SHEILD	P0018
S0012	3	12dia SS PLUNGER	S0012
W0004L	1	LH ADJUSTABLE MOUNT - BRACKET SLIDE	W0004L
W0005L	1	LH BEAM - BRACKET SLIDE	W0005L
W0006L	1	LH SLIDE - BRACKET SLIDE	W0006L
W0007L	1	LH PEDAL MOUNT - BRACKET SLIDE	W0007L
HGR20	1	20mm Linear Guideway "HGR20"	SW-B0039
HGH 20CA	2	Linear Bearing - Hiwin HG Series	
PW M12	1	12mm Plain Washer	
PW M16	2	16mm Plain Washer	
PW M5	8	5mm Plain Washer	
HN M8	2	M8 Hex Nut	
HN M10	4	M10 HEX NUT ZP	
NN M12	1	M12 Nyloc Nut	
NN M16	1	M16 Nyloc Nut	
BHSS M5x12	8	M5x12 Button Head Socket Screw	
SHCS M4x20	3	M4x20 Socket Head Cap Screw	
SHCS M5x16	3	M5x16 Socket Head Cap Screw	
SHCS M8x30	2	M8x30 Socket Head Cap Screw	
HB M10x40	4	M10x40 Hex Bolt	



### SW-A003R Right Hand Slide Assembly

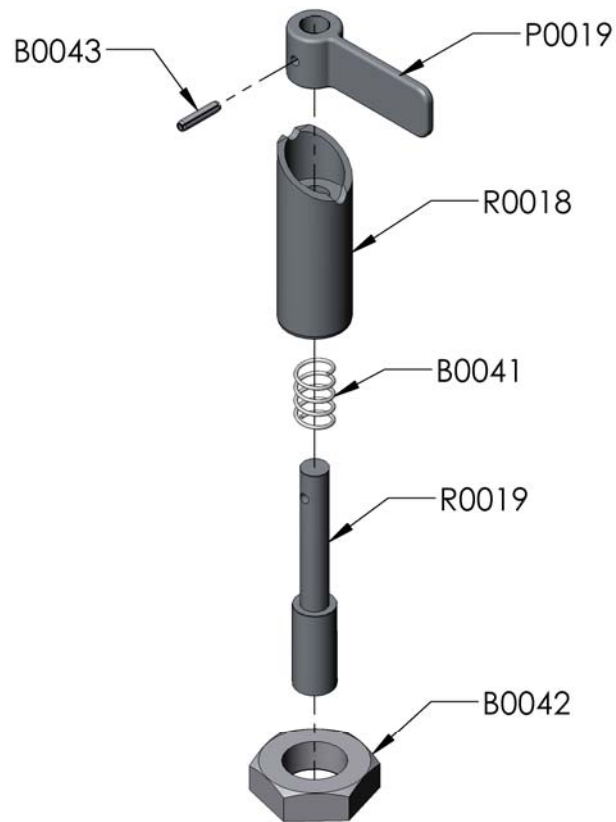


ID	QTY.	Title	Drawing #
P0028	1	SHEILD	P0028
S0012	3	12dia SS PLUNGER	S0012
W0004R	1	RH ADJUSTABLE MOUNT - BRACKET SLIDE	W0004R
W0005R	1	RH BEAM - BRACKET SLIDE	W0005R
W0006R	1	RH SLIDE - BRACKET SLIDE	W0006R
W0007R	1	RH PEDAL MOUNT - BRACKET SLIDE	W0007R
HGH 20CA	2	Linear Bearing - Hiwin HG Series	
HGR20	1	20mm Linear Guideway "HGR20"	SW-B0039
PW M5	8	5mm Plain Washer	
PW M12	1	12mm Plain Washer	
PW M16	2	16mm Plain Washer	
HN M8	3	M8 Hex Nut	
HN M10	4	M10 HEX NUT ZP	
NN M12	1	M12 Nyloc Nut	
NN M16	1	M16 Nyloc Nut	
SHCS M4x20	3	M4x20 Socket Head Cap Screw	
BHSS M5x12	8	M5x12 Button Head Socket Screw	
SHCS M5x16	3	M5x16 Socket Head Cap Screw	
SHCS M8x30	3	M8x30 Socket Head Cap Screw	
HB M10x40	4	M10x40 Hex Bolt	





**SW-S0012 12 dia SS Plunger**



ID	QTY.	Title	Drawing #
B0041	1	12 od max x 8 id min x 25 lg Compression Spring	
B0042	1	M20 x 1.5 LOCK NUT	
B0043	1	3x14 Spring Pin - Stainless Steel	
P0019	1	HANDLE	P0019
R0018	1	HOUSING	R0018
R0019	1	PIN	R0019

